



XIAMEN TOP BEST TECH CO., LTD

www.SolarPartsComponents.com

B516, No.17 XiangXing 1st Road, HuLi Area, Xiamen, China, 361006

Tel: 0086-592-5900866 Fax: 0086-592-5900266



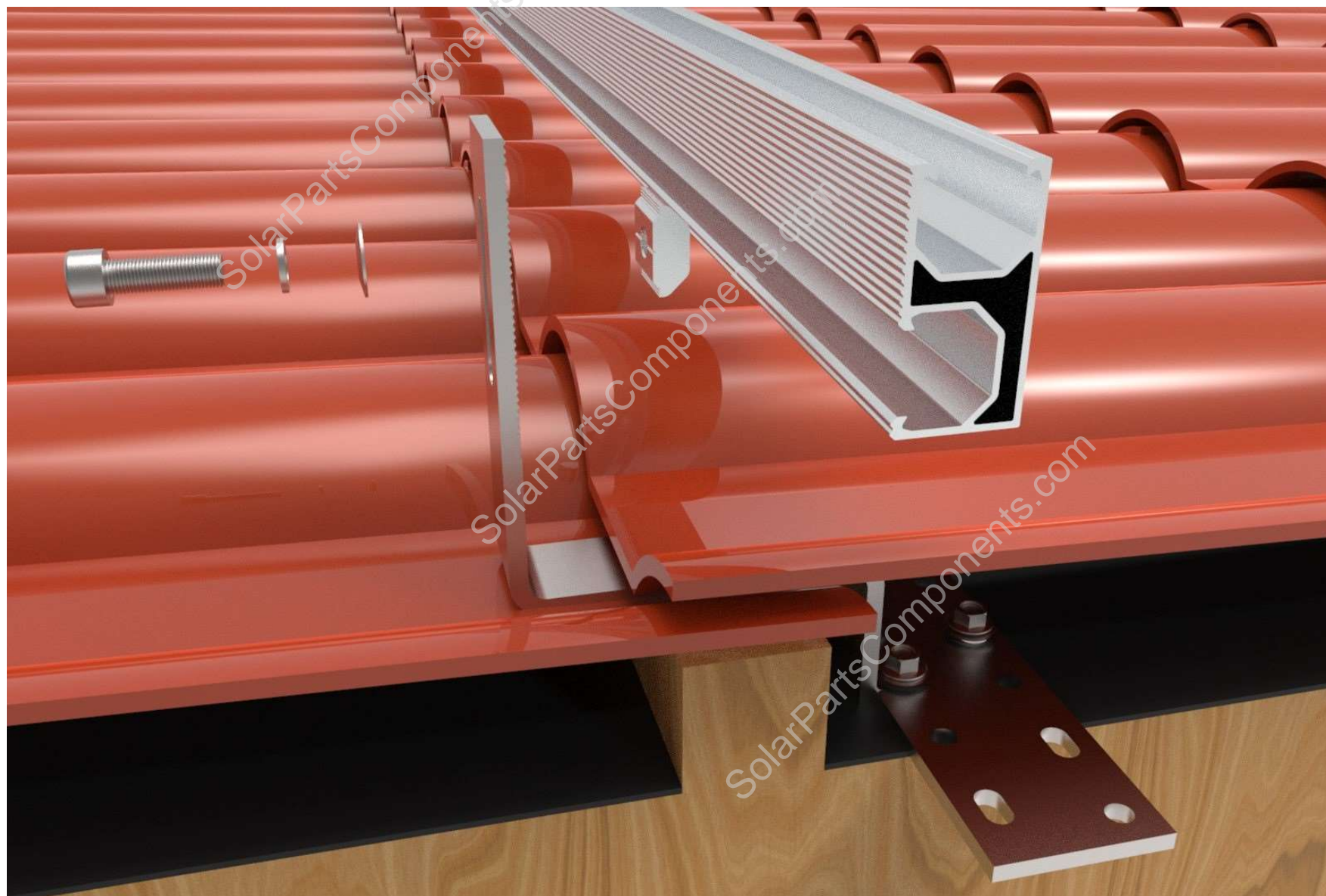


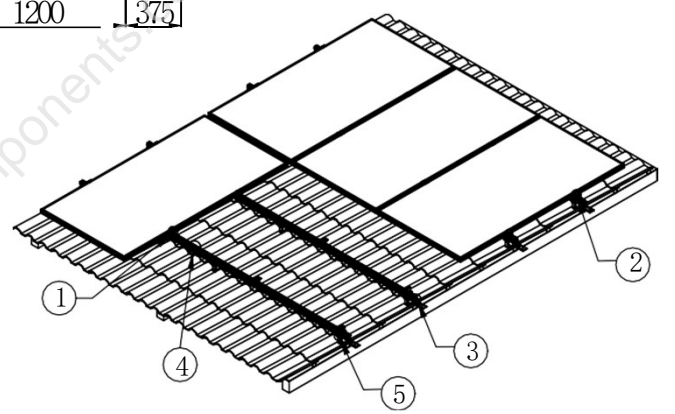
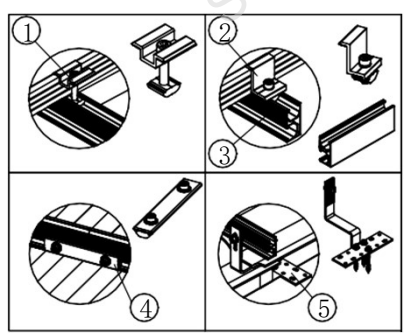
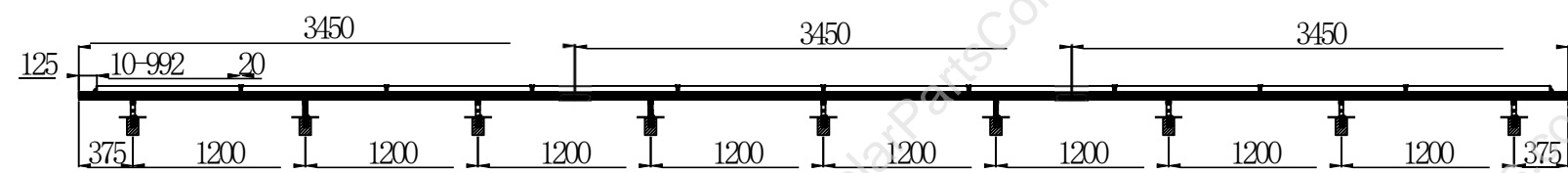
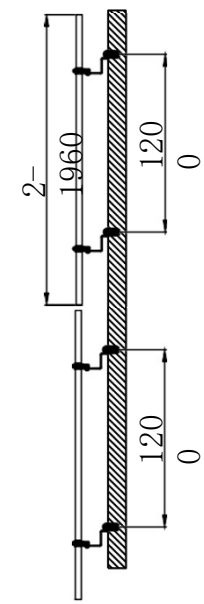
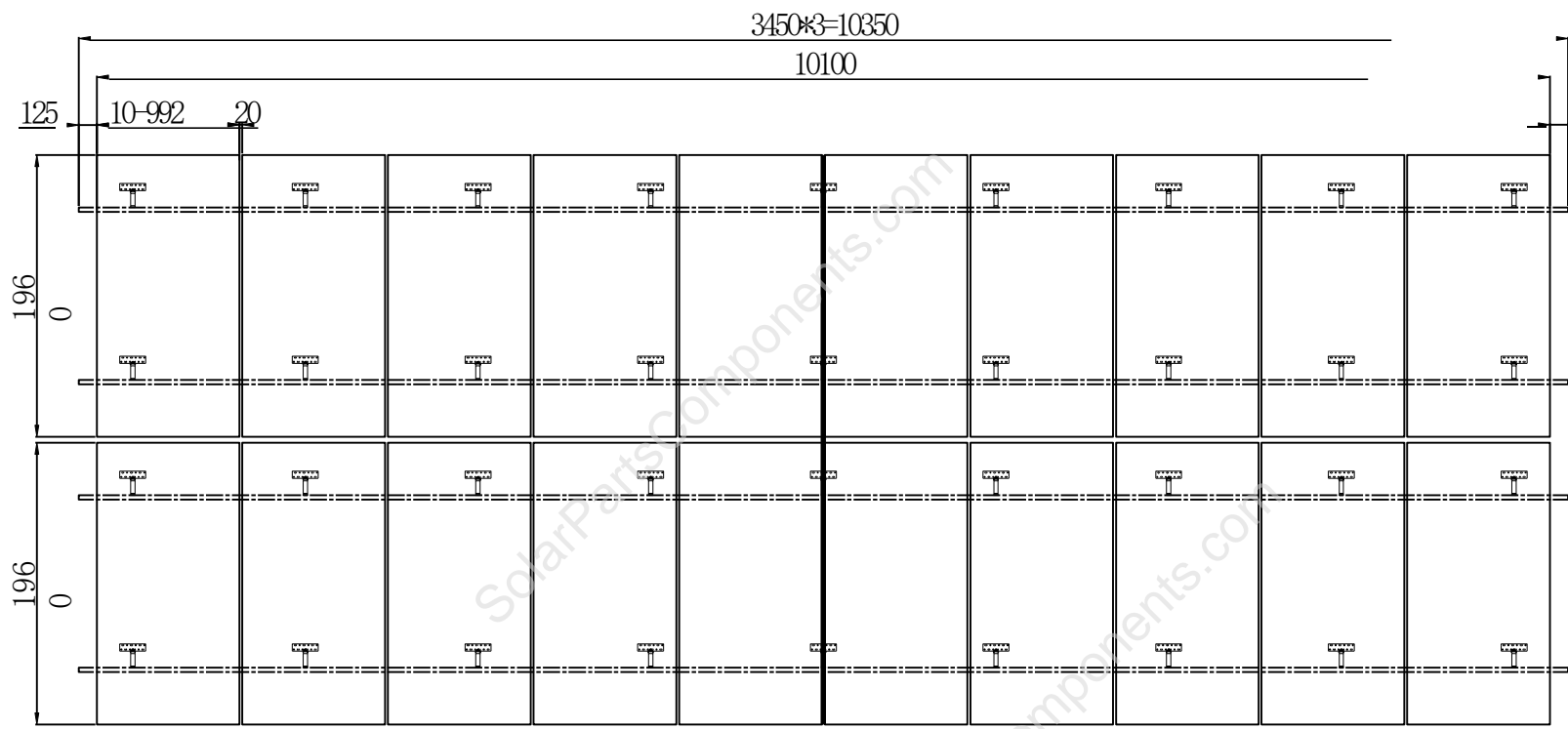
XIAMEN TOP BEST TECH CO., LTD

www.SolarPartsComponents.com

B516, No.17 XiangXing 1st Road, HuLi Area, Xiamen, China, 361006

Tel: 0086-592-5900866 Fax: 0086-592-5900266





Title	1号琉璃瓦挂钩		Part No		Date	2020.09.02		Xiamen Top Best Tech Co.,Ltd.				
Module Size	1960*992*40	Wind Load		Panel array	2*10*4			Version	V1.0	Scale	1:1	A3
Installation Angle	0°	Snow Load		Designer	Huang							








XIAMEN TOP BEST TECH CO., LTD

www.SolarPartsComponents.com

B516, No.17 XiangXing 1st Road, HuLi Area, Xiamen, China, 361006

Tel: 0086-592-5900866 Fax: 0086-592-5900266

Project No.	0	Customer No.	0	Total Project(W)	24000
Ground Clearance(mm)	0	Array Amount:	4	Total Module Amount:	80
Installation Site:		Wind Speed(m/s:)	0	Snow Loading(cm):	0
Module Length (mm)	1960	Module Width (mm)	992	Module Thickness(mm)	40
Module Power(W):	300	Module Weight(KG):	22	Pile Length(mm)	/
Tilt Angle:	0	Foundation Type:	Curved Tile Roof		
Mounting System Type:	SPC-RF-IK01-DR	Array Orientation:	Portrait		

Item	Product Code	Picture	Spec. (mm)	Material	Project Qty	Spare Qty		Total	R	C	Array No
						Scale	Qty		2	10	4
						80					
1	SPC-IC-H60		60	AL6005-T5	32	3.00%	1	33	8	32	
2	SPC-EC-S60		60	AL6005-T5	144	3.00%	5	149	36	144	
3	SPC-R-RN52		3450	AL6005-T5	48	0.10%	1	49	12	48	
4	SPC-SP-RN52		150	AL6005-T5	32	0.10%	1	33	8	32	
5	SPC-IK-01		180	AL6005-T5	144	3.00%	5	149	36	144	