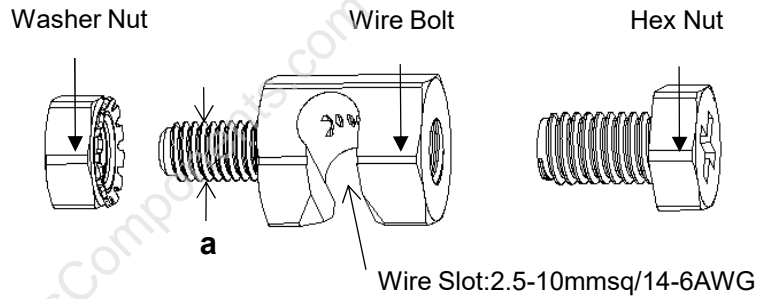


Solar Grounding Connector

Application:

The solar grounding connector is used with metal-framed photovoltaic (solar) panels and related products that require grounding for safety reasons.

Drawing:

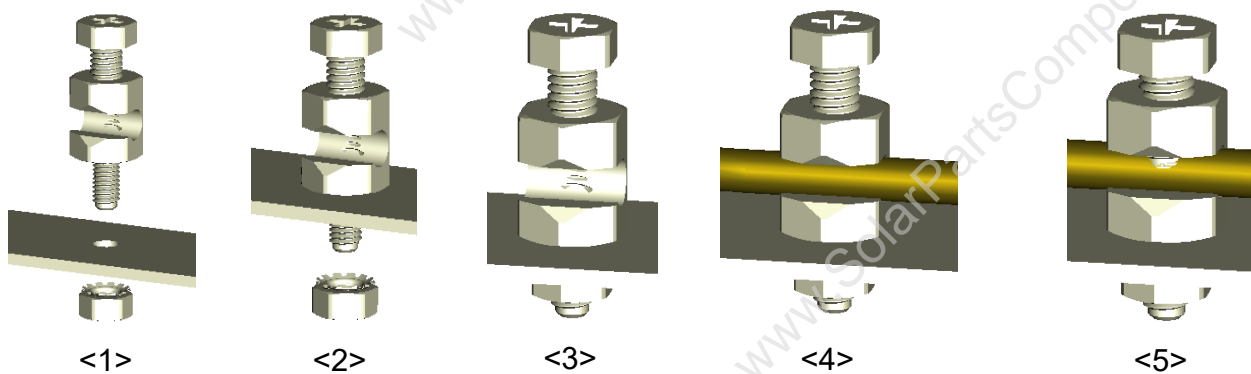


Product Technical Parameters:

- >Materials: Copper
- >Color: White
- >Frame Thickness Range: 0.8-4.5mm
- >Mounting hole diameter: $\varnothing 5.0\text{mm}$
- >Ambient temperature: $-40^{\circ}\text{C} \dots +90^{\circ}\text{C}$
- >Cable size(mmsq/AWG): 2.5/4/6/10 & 14/12/10/8/6



Installation Method:



Part No.:

L08001-001.....a= $\varnothing 5.0\text{mm}$